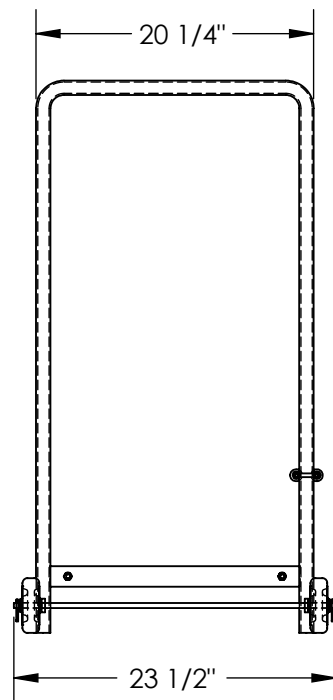


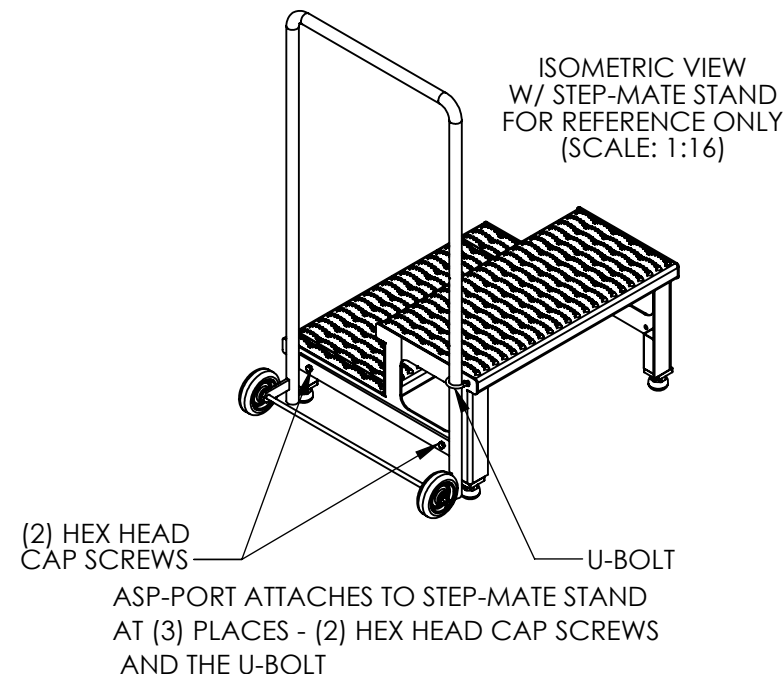
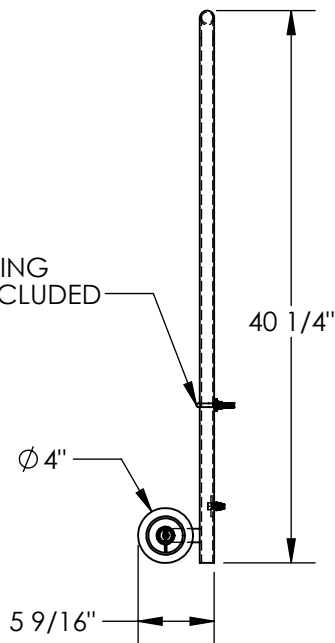
# BOLT-ON PORTABILITY KIT - ASP-PORT

APPROX WEIGHT: 12 lbs.  
 DOES NOT INCLUDE WEIGHT OF POWER OR PACKAGING!!!

\*\*\* ANY ADDITIONS, DELETIONS, OR OMISSIONS MUST BE CORRECTED ON THIS DRAWING AS THIS DRAWING WILL BE CONSIDERED ALL INCLUSIVE \*\*\*  
 ALL GRAPHICS PROVIDED ARE FOR REFERENCE ONLY. IF CERTAIN DIMENSIONS ARE CRITICAL PLEASE VERIFY THOSE DIMENSIONS WITH YOUR SALESPERSON



U-BOLT AND  
 OTHER MOUNTING  
 HARDWARE INCLUDED



DIMENSION TOLERANCE ± 1/4"

## STANDARD FEATURES

- MODEL NUMBER: ASP-PORT
- OVERALL WIDTH: 23 1/2"
- USABLE WIDTH: 20 1/4"
- OVERALL DEPTH: 5 9/16"
- OVERALL HEIGHT: 40 1/4"
- (2) 4" O.D. x 1 1/4" WIDE  
 POLY ON POLY WHEELS
- ASP-PORT CAN BE ATTACHED TO EITHER  
 SIDE OF THE ASP STEP-MATE STAND

THE ASP-PORT WILL WORK ON THE  
 FOLLOWING STEP-MATE STANDS:

- ASP-24, ASP-36, ASP-48
- ASP-24-SS, ASP-36-SS, ASP-48-SS

## SPECIAL FEATURES

NONE

**APPROVAL**

I, THE UNDERSIGNED, AGREE THAT THE PRODUCT AS REPRESENTED SATISFIES DESIGN AND DIMENSION REQUIREMENTS. I ALSO ACKNOWLEDGE MY DUTY TO CONFIRM PRODUCT AND INSTALLATION COMPLIANCE WITH ALL APPLICABLE FEDERAL, STATE AND LOCAL REGULATIONS AND STANDARDS.

**ANY MODIFIED UNITS ARE NON-RETURNABLE**

[ ] As drawn      [ ] As marked

Signed: \_\_\_\_\_ Date: \_\_\_\_\_

Printed Name: \_\_\_\_\_

*LEAD TIME WILL START UPON RECEIPT OF SIGNED APPROVAL DRAWING*

FOR INTERNAL USE ONLY PROJECT SIGN OFF	
SALES	
ENG.	
FAB.	
POWER	

DISTRIBUTOR'S NAME: <b>VESTIL MANUFACTURING</b>		P.O.# X
DRAWN BY: QW		W.O.# X
DATE: 02/09/2010		SALES: X
REFERENCE: X	SCALE: 1:14	FILE NAME:
QUOTED LEAD TIME: X	QUOTE # X	14-007-100